

2023 Beef Cow AI Protocols



estroPLAN, Estrumate, In-Synch, Lutalyse, Lutalyse *HighCon*, ProstaMate, SYNCHSURE



Cystorelin, Factrel, Fertagyl, GONABreed, OvaCyst



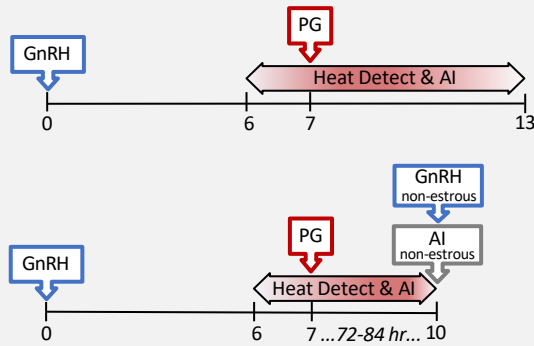
Intravaginal progesterone Controlled Internal Drug Release

Pharmaceutical products used for estrus synchronization should be administered at the label dose. Consult product packaging. Label-approved applications vary from product to product, and pharmaceutical products for synchronization should be used in the context of an ongoing veterinarian-client-patient relationship.

For more information on proper handling and administration of synchronization products, see University of Missouri Extension publication G2022, *Guide to Estrus Synchronization Products*.

Protocol recommendations are based on peer-reviewed research in the field of hormonal control of the bovine estrous cycle. This is not an exhaustive list of all possible protocols but provides commonly-used and effective options.

Select Synch



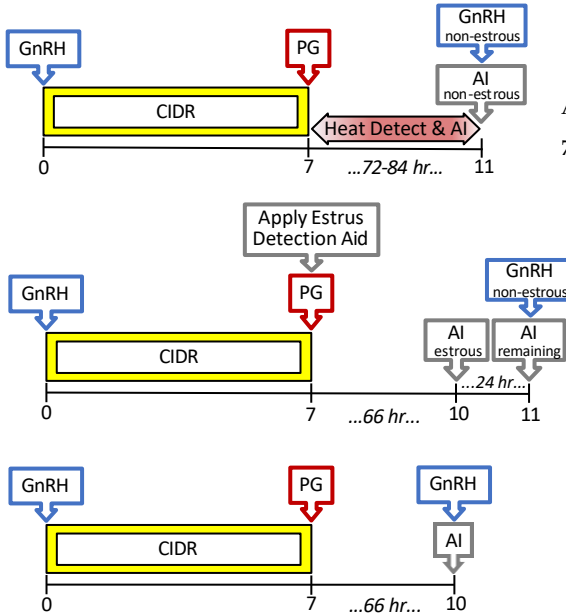
Heat Detection

Heat detect and AI based on AM-PM rule from day 6 to 13

Heat Detection + Timed AI

Heat detect and AI based on AM-PM rule from day 6 to 10; AI non-estrous cows at 72 - 84 hr after PG, with GnRH at AI

7-Day



Heat Detection + Timed AI

Heat detect and AI based on AM-PM rule from day 7 to 10; AI non-estrous cows at 72 - 84 hr after CIDR removal, with GnRH at AI

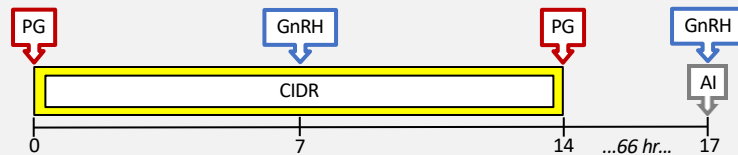
Split-Time AI

AI estrous cows at 66 ± 2 hr after CIDR removal; AI remaining cows 24 hr later, with GnRH at AI for non-estrous cows

Fixed-Time AI

AI all cows at 66 ± 2 hr after CIDR removal, with GnRH at AI

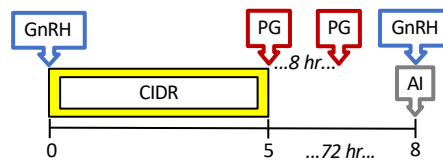
7 & 7 Synch



Fixed-Time AI

AI all cows at 66 ± 2 hr after CIDR removal, with GnRH at AI

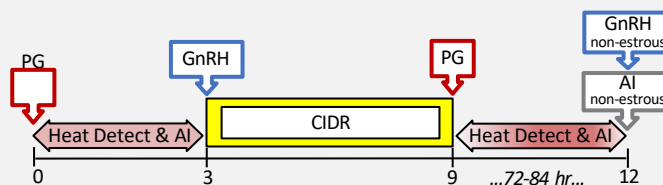
5-Day



Fixed-Time AI

AI all cows at 72 ± 2 hr after CIDR removal, with GnRH at AI

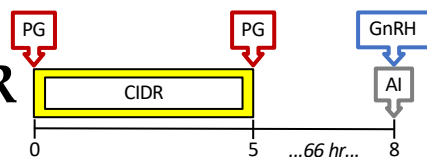
PG 6-Day CIDR



Heat Detection + Timed AI

Heat detect and AI based on AM-PM rule from day 0 to 3 and day 9 to 12; AI non-estrous cows at 72 - 84 hr after CIDR removal, with GnRH at AI

Bos indicus PG 5-Day CIDR



Fixed-Time AI

AI all cows at 66 ± 2 hr after CIDR removal, with GnRH at AI

