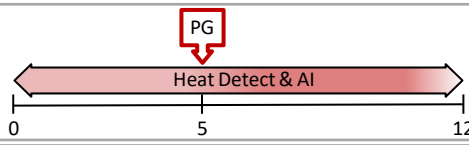


2023 Beef Heifer AI Protocols

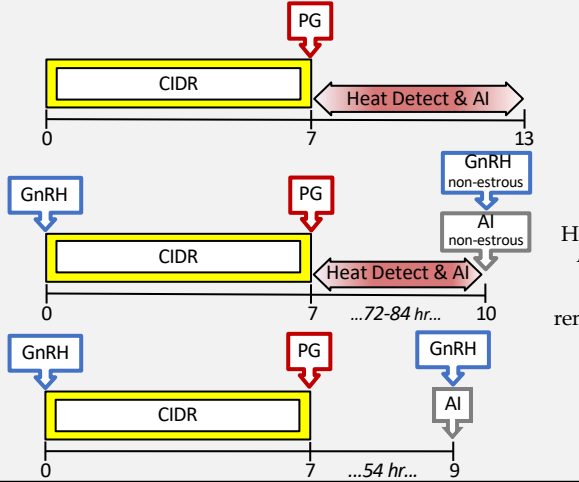
1-Shot PG



Heat Detection

Heat detect and AI based on AM-PM rule from day 0 to 12

7-Day



Heat Detection

Heat detect and AI based on AM-PM rule from day 7 to 13

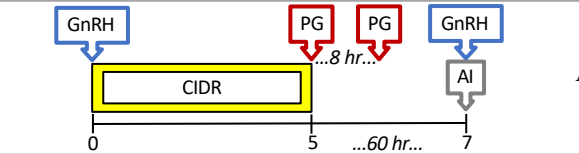
Heat Detection + Timed AI

Heat detect & AI based on AM-PM rule day 7 to 10; AI non-estrous heifers 72-84 hr after CIDR removal, with GnRH at AI

Fixed-Time AI

AI all heifers at 54 ± 2 hr after CIDR removal, with GnRH at AI

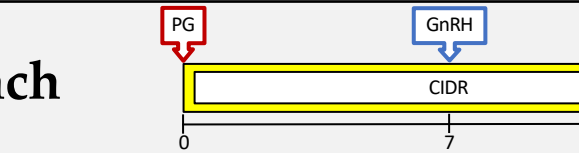
5-Day



Fixed-Time AI

AI all heifers at 60 ± 4 hr after CIDR removal, with GnRH at AI

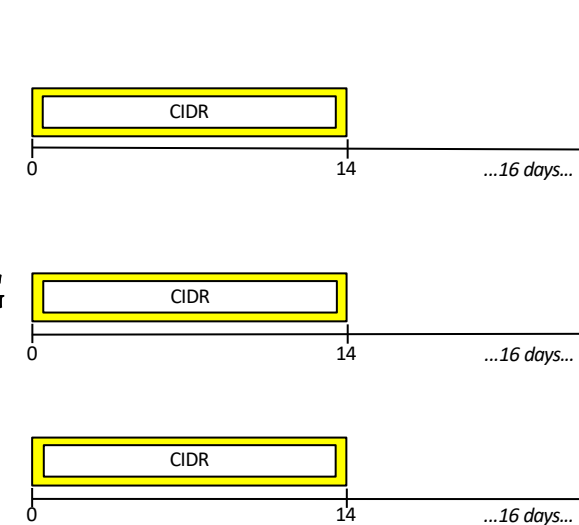
7 & 7 Synch



Fixed-Time AI

AI all heifers at 54 ± 2 hr after CIDR removal, with GnRH at AI

14-Day CIDR-PG



Heat Detection + Timed AI

Heat detect & AI based on AM-PM rule day 30 to 33; AI non-estrous heifers at 70-84 hr after PG, with GnRH at AI

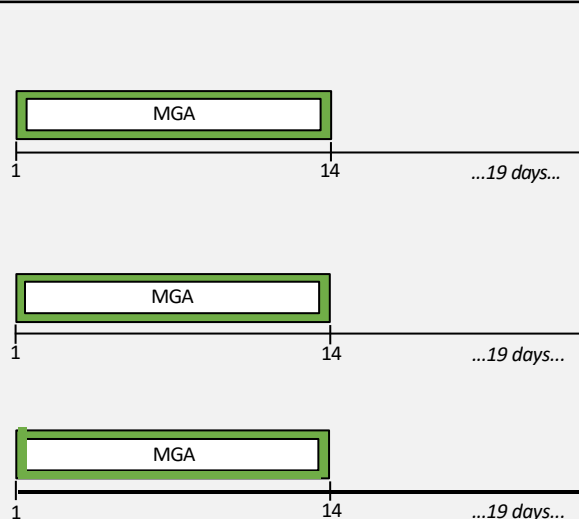
Split-Time AI

AI estrous heifers at 66 ± 2 hr after PG; AI remaining heifers 24 hr later, with GnRH at AI for non-estrous heifers

Fixed-Time AI

AI all heifers at 66 ± 2 hr after PG, with GnRH at AI

MGA-PG



Heat Detection + Timed AI

Heat detect and AI based on AM-PM rule from day 33 to 36; AI non-estrous heifers at 72-84 hr after PG, with GnRH at AI

Split-Time AI

AI estrous heifers at 72 ± 2 hr after PG; AI remaining heifers 24 hr later, with GnRH at AI for non-estrous heifers

Fixed-Time AI

AI all heifers at 72 ± 2 hr after PG, with GnRH at AI

PG estroPLAN, Estrumate, In-Synch, Lutalyse, Lutalyse HighCon, ProstaMate, SYNCHSURE

GnRH Cystorelin, Factrel, Fertagyl, GONABreed, OvaCyst

CIDR Intravaginal progesterone Controlled Internal Drug Release

MGA Melengestrol acetate feed additive: MGA, HeifermaX

Pharmaceutical products used for estrus synchronization should be administered at the label dose. Consult product packaging. Label-approved applications vary from product to product, and pharmaceutical products for synchronization should be used in the context of an ongoing veterinarian-client-patient relationship.